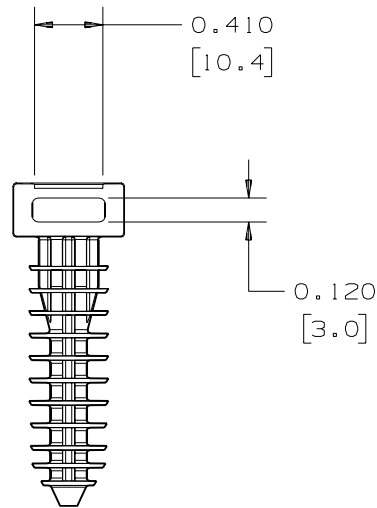
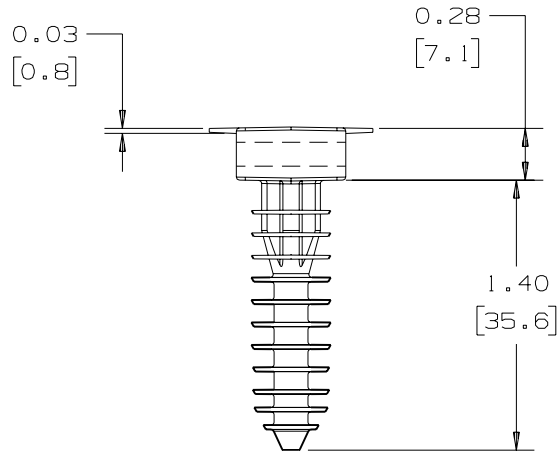
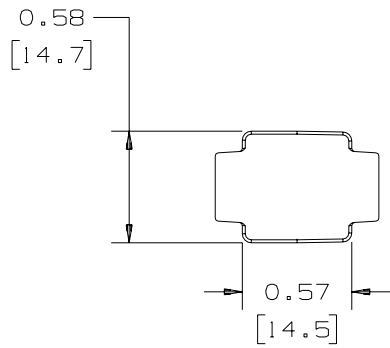


THIS COPY IS PROVIDED ON A RESTRICTED BASIS AND IS NOT TO BE USED IN ANY WAY DETRIMENTAL TO THE INTERESTS OF PANDUIT CORP.



PANDUIT PART NO. *	USED WITH CABLE TIES	HOLE SIZE in (mm)	WEIGHT lbs/ 100 pc (g)/
SGMPMWH32	M, I, S, LH, H SG100M, SG150I, SG200S, SG250S, SG300S, SG370S, SG350LH, SG450H	.315 DIA. X 1.41 DP (8 DIA. X 35.8 DP)	0.67 (303)
MPMWH32			

NOTES:

- * 1. SEE CURRENT PRICE SHEET FOR PART NUMBER SUFFIX DESIGNATION FOR PACKAGE SIZE.

DIMENSIONS IN BRACKETS ARE METRIC [mm]

CAD FILENAME/LAYERS G00201BA_PB_MPMWH32_05

PANDUIT CORP. TINLEY PARK, ILLINOIS

SUPER GRIP MASONRY PUSH MOUNT
SGMPMWH32 & MPMWH32

UNLESS OTHERWISE SPECIFIED,
DIMENSIONAL TOLERANCES ARE:
(.X) ± 0.1 (2.5) (.XXX) ± 0.020 (0.5)
(.XX) ± 0.05 (1.3) ANGLES ± 5°

UNLESS OTHERWISE SPECIFIED,
ALL DIMENSIONS ARE GIVEN
IN INCHES, THIRD ANGLE PROJECTION.

DRAWN BY
TMSA

MAT'L:
IMPACT RESISTANT
WEATHER RESISTANT
NYLON 6/6
COLOR: BLACK

SCALE
FULL

DATE
5-23-06

DRAWING NO.
G00201BA
DWG
SIZE
A

REV	DATE	BY	CHK	DESCRIPTION	ECN	R	CUST	SUP	QC
5	5-23-06			COMPLETELY REVISED LAYOUT AND ADDED PART NUMBER SGMPMWH32	G00201BA	5			